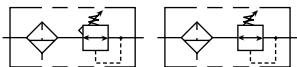


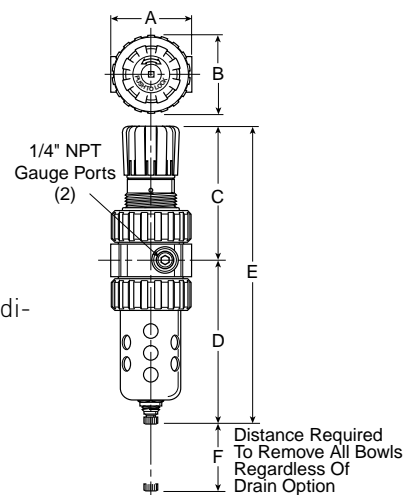
Compressed Air Filters

Air Preparation Units - 06E Filter/Regulator - Compact 1/4", 3/8", 1/2" NPT - Basic 3/8" Body



Features

- Space saving package offers both filter and regulator features for optimal performance.
- Excellent water removal efficiency.
- Rolling diaphragm for extended life.
- Quick response, and accurate pressure regulation regardless of changing flow or inlet pressure.
- Two high flow 1/4" gauge ports can be used as additional outlets.
- Shown with recommended metal bowl guard.
- High Flow: 1/4" - 46 SCFM[§]
3/8" - 55 SCFM[§]
1/2" - 61 SCFM[§]



Port Size	NPT	
	Twist Drain	Automatic Float Drain
Poly Bowl [‡] / Metal Guard		
1/4"	06E12B13A*	06E16B13A*
3/8"	06E22B13A*	06E26B13A*
1/2"	06E32B13A*	06E36B13A*
Metal Bowl / Sight Gauge		
1/4"	06E14B13A*	06E18B13A*
3/8"	06E24B13A*	06E28B13A*
1/2"	06E34B13A*	06E38B13A*

06E Filter / Regulator Dimensions			
A	B	C	D
2.81 (71)	2.74 (70)	4.69 (119)	5.69 (145)
D [†]	E	E [†]	F
5.74 (146)	10.38 (264)	10.43 (265)	2.25 (57)

Inches (mm)
+ With Twist Drain or Auto Pulse Drain

[‡]For polycarbonate bowl see Caution on page 2.

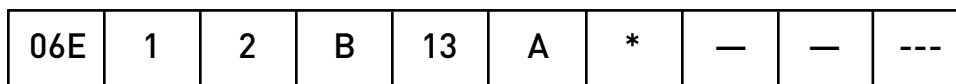
[§]SCFM = Standard cubic feet per minute at 100 PSIG inlet, 90 PSIG no flow secondary setting and 10 PSIG pressure drop.

NOTE: 2.00 Dia. (50.8 mm) hole required for panel mounting. Max. panel thickness 1/4".

WARNING

Product rupture can cause serious injury.
Do not connect regulator to bottled gas.
Do not exceed maximum primary pressure rating.

Ordering Information



Port Size
1 1/4 Inch
2 3/8 Inch
3 1/2 Inch

Elements
B 5 Micron

Relief
A Relieving

Port Type
Blank NPT

* 1/4 & 3/8 inch meet ISO 1179-1 Standard.

Preset
Blank None

Bowl Options	
<u>Polycarbonate Bowl</u>	<u>Metal Bowl</u>
2 Metal Bowl Guard / Twist Drain	4 Sight Gauge / Twist Drain
6 Metal Bowl Guard / Auto Float Drain	8 Sight Gauge / Auto Float Drain

Pressure Range
13 125 PSIG

Engineering Level
* Will be Entered at Factory

Options
Blank No Options

[†] Inlet Pressure is 100 PSIG. For other pressures, contact factory.

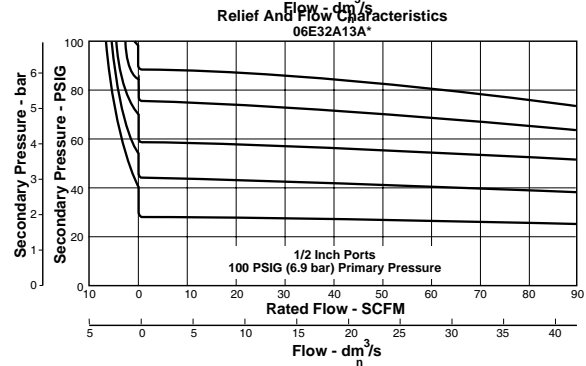
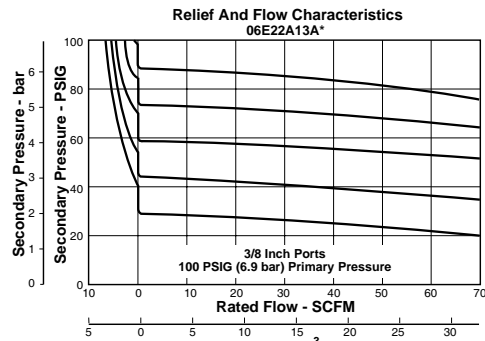
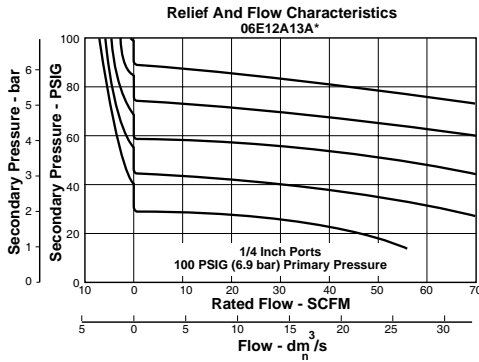


Compressed Air Filters

Air Preparation Units - 06E Filter/Regulators

Technical Information

Compressed Air Filters



CAUTION:

REGULATOR PRESSURE ADJUSTMENT – The working range of knob adjustment is designed to permit outlet pressures within their full range. Pressure adjustment beyond this range is also possible because the knob is not a limiting device. This is a common characteristic of most industrial regulators, and limiting devices may be obtained only by special design.

For best performance, regulated pressure should always be set by increasing the pressure up to the desired setting.

06E Filter / Regulator Kits & Accessories

Bonnet Assembly Kit.....	PS715P
Bowl Guard Kit.....	PS705P
Bowl Kits -	
Poly Bowl - Automatic Float Drain.....	PS722P
Twist Drain.....	PS732P
Metal Bowl - Sight Gauge / Automatic Drain.....	PS723P
Sight Gauge / Twist Drain.....	PS735P
Control Knob.....	P04069B
Drain Kit - Automatic Float Drain.....	PS506P
Twist Drain.....	PS512P
Filter Element Kits - 5 Micron.....	PS702P
Gauges - 60 PSIG (0 to 4.1 bar).....	K4520N14060
160 PSIG (0 to 11.0 bar).....	K4520N14160
Mounting Bracket Kit (Includes Panel Mount Nut).....	PS707P
Panel Mount Nut.....	P04082
Service Kits - Non-Relieving (Includes Poppet).....	PS711P
Relieving (Includes Poppet).....	PS710P
Seat Insert Kit.....	PS713P
Spring - 2- 125 PSIG Range.....	P04063
Tamperproof Kit (Key Lock).....	PS737P

Specifications

Bowl Capacity.....	4.4 Ounces
Gauge Ports (2).....	1/4 Inch
(Can be used as Additional Full Flow 1/4" Outlet Ports)	
Port Threads.....	1/4, 3/8, 1/2 Inch

Pressure & Temperature Ratings -

Polycarbonate Bowl - 0 to 150 PSIG (0 to 10.4 bar)
32°F to 125°F (0°C to 52°C)
Metal Bowl - 0 to 250 PSIG (0 to 17.2 bar)
32°F to 175°F (0°C to 80°C)
Automatic Float Drain - 15 to 250 PSIG (1.0 to 17.2 bar)

Secondary Pressure Range -

Standard Pressure.....	2 to 125 PSIG (0 to 8.6 bar)
------------------------	------------------------------

Sump Capacity.....	1.75 Ounces
Weight.....	1.6 lb. (0.7 kg)

Materials of Construction

Adjusting Stem.....	Steel
Body.....	Zinc
Bonnet, Internal Parts.....	Plastic
Bowls Available - Transparent.....	Polycarbonate
Metal (With or Without Sight Gauge).....	Zinc
Bowl Guard.....	Steel
Collar.....	Plastic
Diaphragm.....	Nitrile
Drains - Manual Twist Drain Standard	
Body & Nut.....	Plastic
Automatic Float Drain Optional	
(Interchangeable for Field Conversions)	
Operating Range.....	10 to 250 PSIG (1.7 to 17.2 bar)
Housing, Float.....	Plastic
Seals.....	Nitrile
Springs, Push Rod.....	Stainless Steel
Knob.....	Plastic
Filter Elements - 5 Micron (Optional).....	Plastic
Seals.....	Nitrile
Sight Gauge.....	Polyamide
Springs - Poppet.....	Stainless Steel
Control.....	Steel

