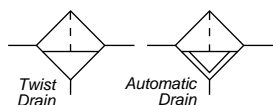


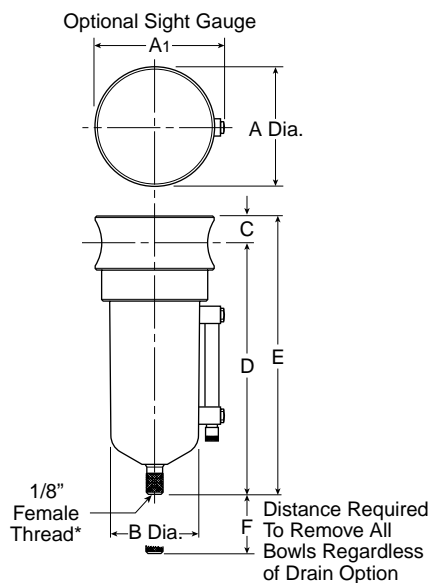
Compressed Air Filters

Air Preparation Units - FF10 Filter - Standard 1/2" NPT Ports



Features

- Stainless steel construction handles most corrosive environments.
- Meets NACE specifications MR-01-75/ISO 15156.
- 1/8" female threaded drain.
- High Flow: 1/2" - 70 SCFM[§]



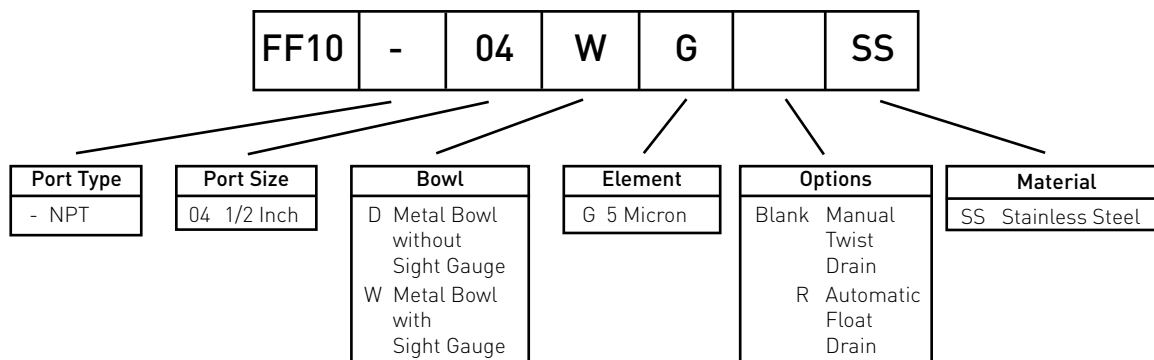
Port Size	NPT without sight gauge		NPT with sight gauge	
	Manual Twist Drain	Automatic Float Drain	Manual Twist Drain	Automatic Float Drain
1/2"	FF10-04DGSS	FF10-04DGRSS	FF10-04WGSS	FF10-04WGRSS

F10 Filter Dimensions		
A 2.38 (60)	A1 2.50 (64)	B 1.75 (44)
C .56 (14)	D 5.00 (127)	E 5.56 (141)
F 2.12 (54)		

[§] SCFM = Standard cubic feet per minute at 90 PSIG inlet and 5 PSIG pressure drop.

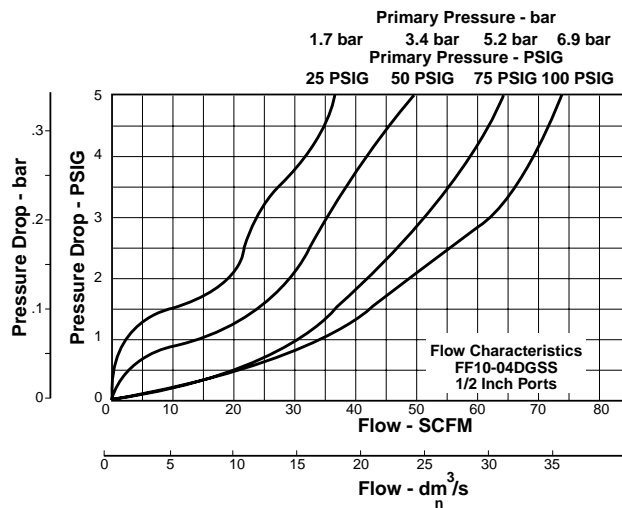
inches
(mm)

Ordering Information



Compressed Air Filters

Air Preparation Units - FF10 Air Line Filters Technical Information



FF10 Filter Kits & Accessories

Drain Kit -	
Automatic Float Drain	SA602MDSS
Manual Twist Drain-	
Small (Old)	SA600Y7-1SS
Large (New)	SAP05481
Filter Element Kits -	
Particulate (5 Micron) Element	EK55G
Pipe Nipple - 1/2" 316 Stainless Steel	616A28-SS

Specifications

Bowl Capacity	4.0 Ounces
Filter Rating	5 Micron
Sump Capacity	1.7 Ounce
Port Threads	1/2 Inch
Pressure & Temperature Ratings -	
Manual Twist Drain (D-Bowl)	0 to 300 PSIG (0 to 20.7 bar)
0°F to 180°F (-18°C to 82°C)	
Manual Twist Drain (W-Bowl)	0 to 250 PSIG (0 to 17.2 bar)
0°F to 150°F (-18°C to 66°C)	
Automatic Float Drain	15 to 175 PSIG (1 to 12 bar)
40°F to 125°F (4°C to 52°C)	

Note: Air must be dry enough to avoid ice formation at temperatures below 32°F (2°C).
Weight

Materials of Construction

Body	316 Stainless Steel
Bowls	316 Stainless Steel
Deflector	Acetal
Drain	316 Stainless Steel
Element Holder	Acetal
Filter Element	Polyethylene
Seals	Fluorocarbon
Sight Gauge	Isoplast